

A912 Bicep Curl

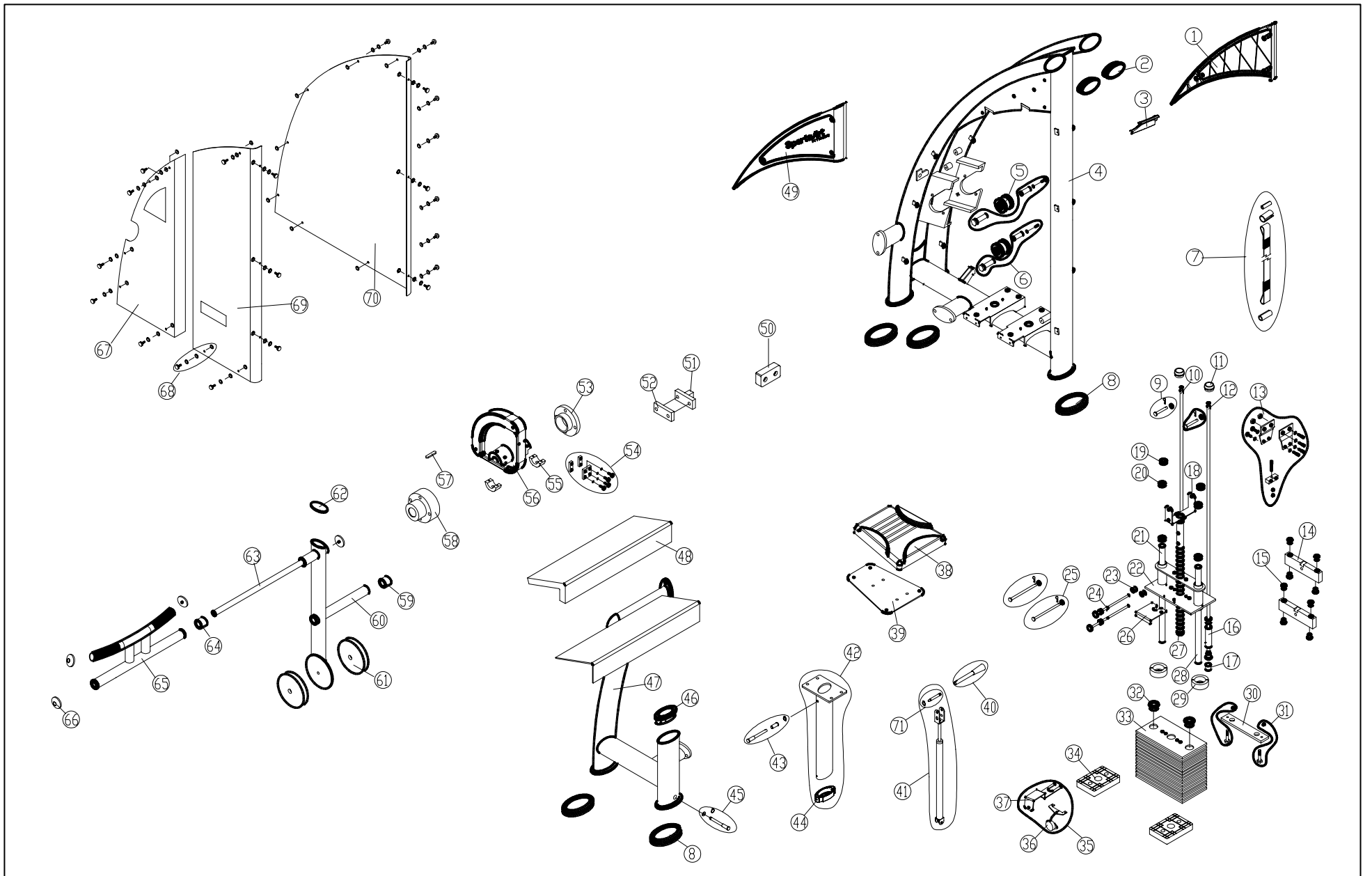
8/28/06

Bbl#	Description	Qty	Part #
01	Right Cover With Logo	1	A912-01
02	End Cap, Upper Frame	2	XT20-44
03	Cap, Top Frame	1	A912-03
04	Frame	1	N/A
05	Pulley, Belt	1	A911-03
06	Bolt Kit, Belt Pulley	2	A912-06
07	Belt	1	**
08	Rubber Foot, Frame	5	A911-10
09	Pin (190591080)	2	A912-09
10	Stack Guide Tube, Short (09091502)	1	A912-10
11	Weight Stack Bumper	2	A911-36
12	Stack Guide Tube, Long (090915010)	1	A912-12
13	Belt Clamp	1	A911-35
14	Stack Guide Support (190510232)	2	A912-11
15	Stack Plate Guide Ring	14	A912-15
16	Standoff		A912-16
17	Cushion, Rubber		A912-17
18	Vertical Stack Bracket	1	190591060
19	Upper Cushion Ring	2	A911-37
20	Ring Guide	2	A911-38
21	Vertical Stack Guide	1	090911040
22	Upper Stack Bracket	1	A911-40
23	Stack Pin Holder (090513200)	2	A917-24
24	Stack Adjust Pin	2	190591050
25	Set Pin (190591070)	2	A912-25
26	Plate Bracket (190510262)	1	A912-26
27	Wt. Stack Rod, 20 position	1	A912-27
28	Vertical Stack Guide, Right	1	A912-28
29	Lower Cushion Ring	2	A911-41
30	Stack Adjust Plate	1	A912-30
31	Stack Adjust Plate Stopper	2	A912-31
32	Weight Stack Bushing	38	A911-46
33	Weight Stack Plate, 5kg	19	A911-47
34	Weight Stack Bumper	2	A911-48
36	Cord, Stack Fork	1	A911-51
37	Stack Fork	1	A911-50
38	Seat Pad	1	A912-08
39	Seat Pad Plate	1	A912-39

Bbl#	Description	Qty	Part #
40	Shock Handle, Yellow	1	A921-42
*	Seat Pin	1	A921-42A
41	Shock, Hydraulic, Seat Adjust	1	A912-41
42	Seat Post	1	A912-40
43	Pin, Upper Shock	1	A921-45
44	Seat Post Cap	1	A912-44
45	Pin, Lower Shock	1	A912-45
46	Arm Support Cap	1	A912-46
48	Arm Pad	1	A912-14
49	Left Cover with Logo	1	A912-49
50	Cushion Plate	2	A912-50
51	Stopper Set	1	A912-51
52	Stopper Plate	1	A912-52
53	Bearing Block	1	A912-53
54	Belt Bracket	1	A912-54
55	Collar, Cam	2	A912-55
56	Cam	1	A912-56
57	Key	1	A912-57
58	Bearing Block, Left	1	A912-58
59	Collar	1	A912-59
60	Rotator Arm	1	A912-60
61	Counter Wt. 4kg	2	A917-41
62	Cap	1	A921-58
63	Axle, Handlebar	1	A912-63
64	Ring Cover	1	A912-64
65	Handlebar	1	A912-65
*	Endcap, Handlebar	2	A912-186B
66	Cap, Handlebar	2	A925-81
67	Front Cover Left	1	192530010
68	Screw, Side Covers	19	A912-68
69	Front Cover Right	1	190630010
70	Back Cover	1	190530011

*	Owners Manual	1	A912-OM

** NI01-01 Specify Which Belt



變更日期	變更說明	設變單號	變更者	 力伽實業股份有限公司	製圖	單位	MM	名稱	業務用爆炸圖	圖號	GFX-F001A-A
						台量	1	材質	×	適用機種	A912
						版本	1				
						比例	1/15	投影	第三角法	表面處理	×